

**THIS PAGE IS INSERTED BY OIPE SCANNING  
AND IS NOT PART OF THE OFFICIAL RECORD**

**Best Available Images**

Defective images within this document are accurate representations of the original documents submitted by the applicant.

Defects in the images may include (but are not limited to):

**BLACK BORDERS**

**TEXT CUT OFF AT TOP, BOTTOM OR SIDES**

**FADED TEXT**

**BLURRY OR ILLEGIBLE TEXT**

**SKEWED/SLANTED IMAGES**

**COLORED PHOTOS HAVE BEEN RENDERED INTO BLACK AND WHITE**

**VERY DARK BLACK AND WHITE PHOTOS**

**UNDECIPHERABLE GRAY SCALE DOCUMENTS**

**IMAGES ARE THE BEST AVAILABLE  
COPY. AS RESCANNING *WILL NOT*  
CORRECT IMAGES, PLEASE DO NOT  
REPORT THE IMAGES TO THE  
PROBLEM IMAGE BOX.**

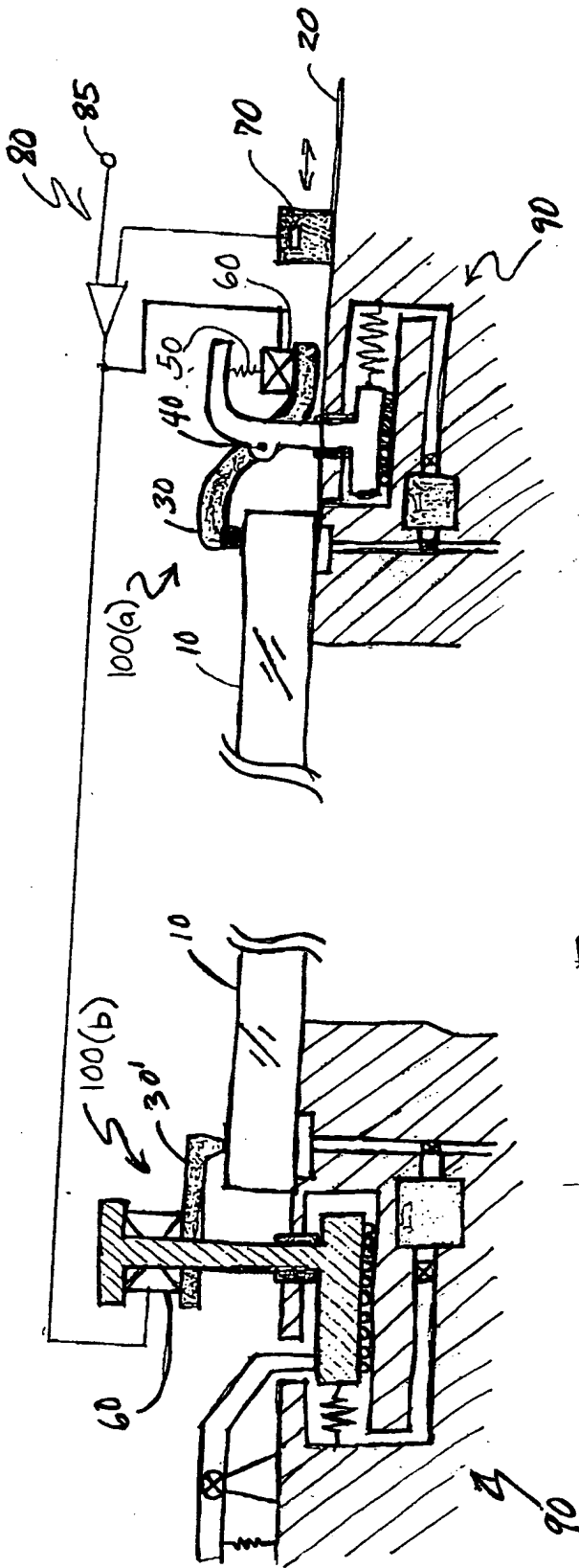
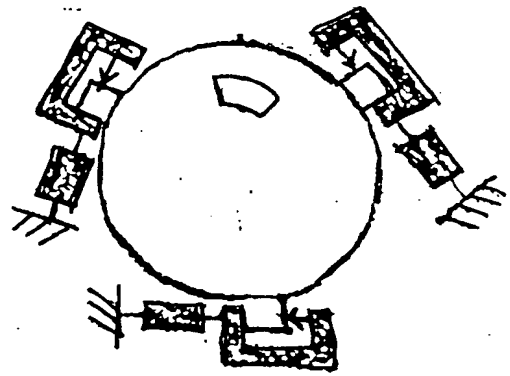
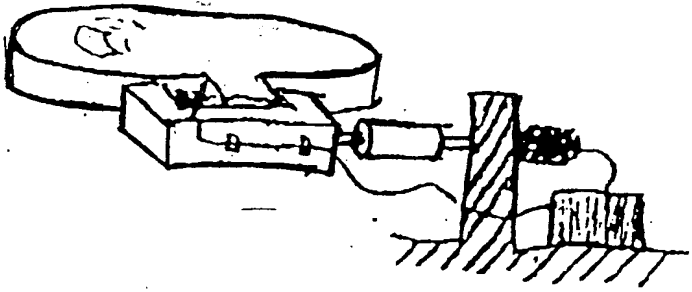
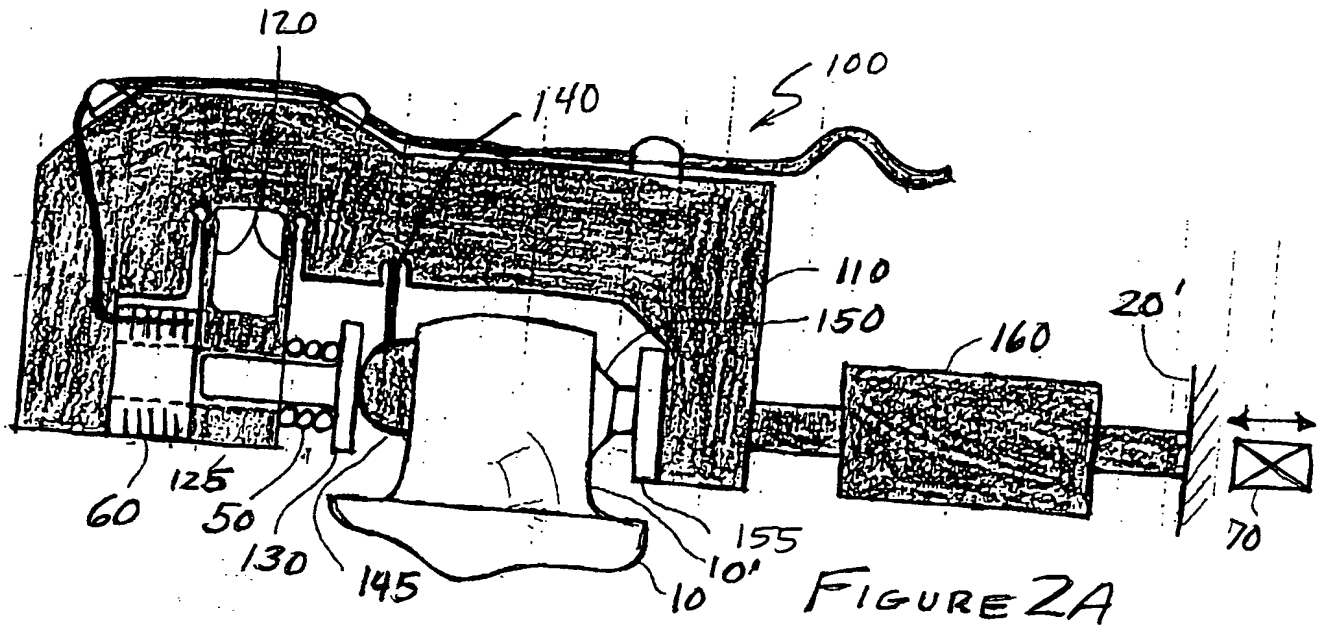


FIGURE 1



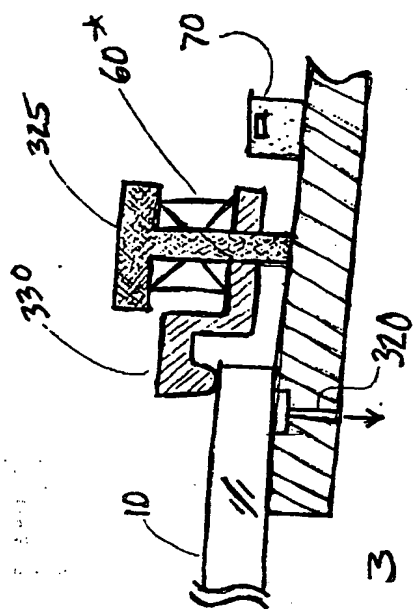


FIGURE 3

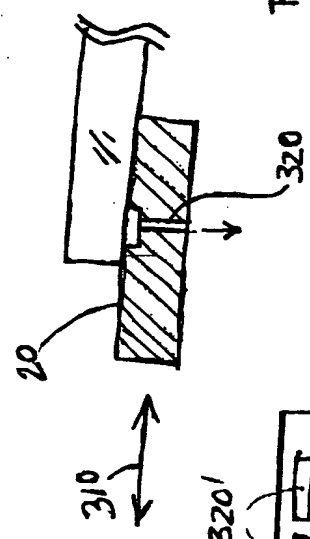


FIGURE 3A

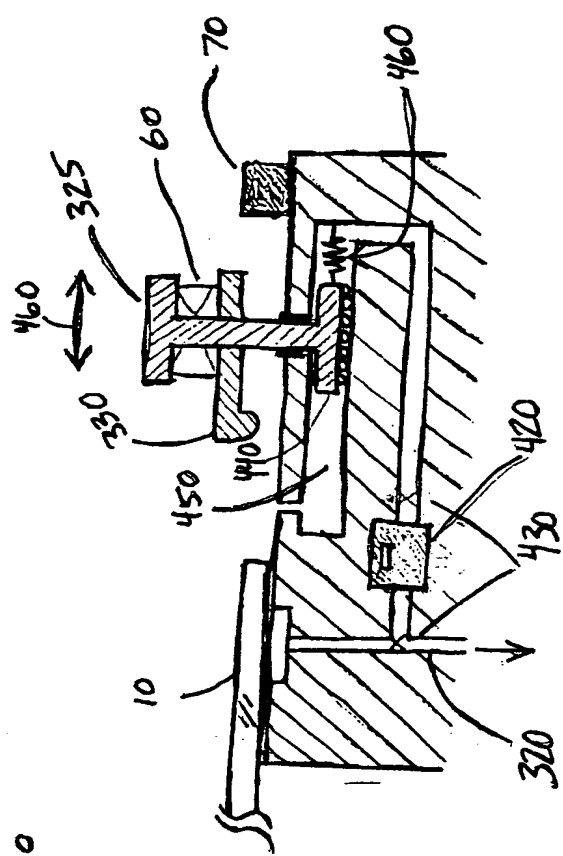


FIGURE 4

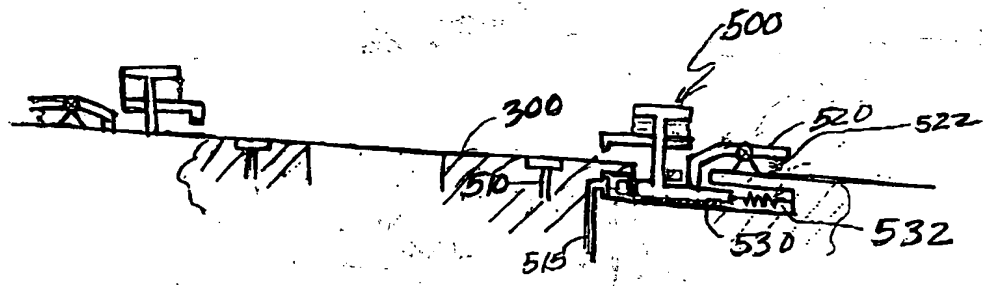


FIGURE 5

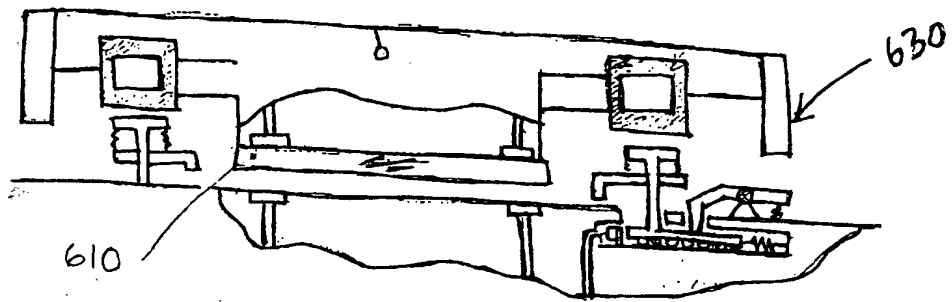


FIGURE 6

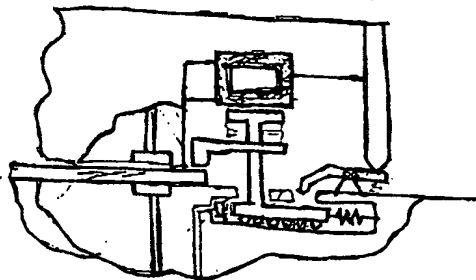


FIGURE 7

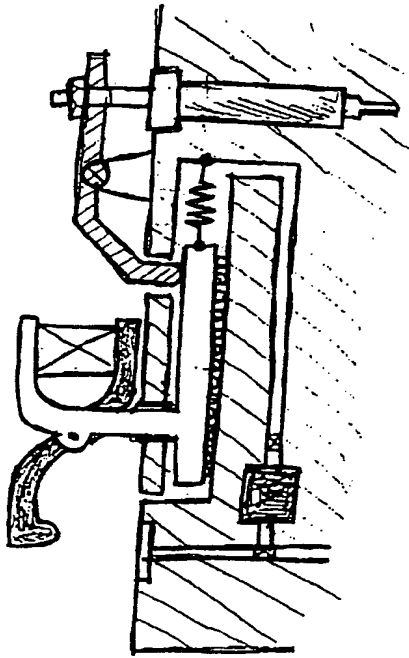


FIGURE 5A

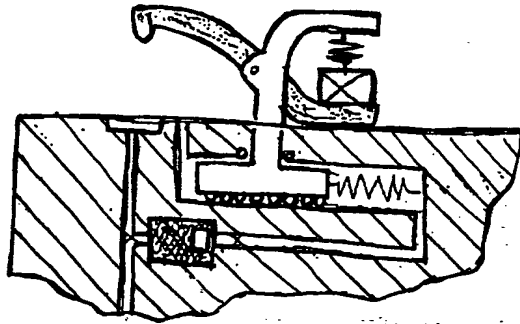


FIGURE 8

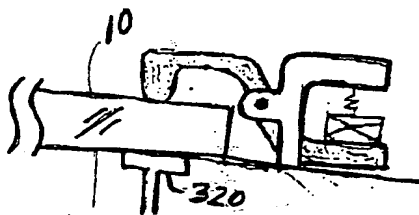


FIGURE 9

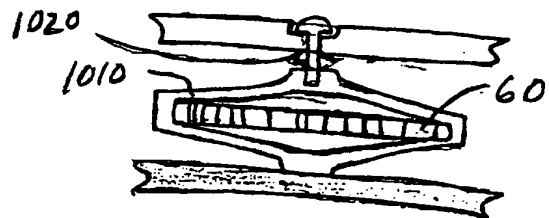


FIGURE 10

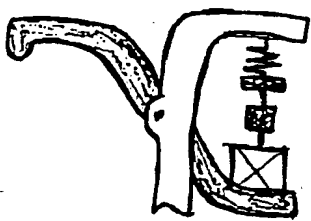


FIGURE 11

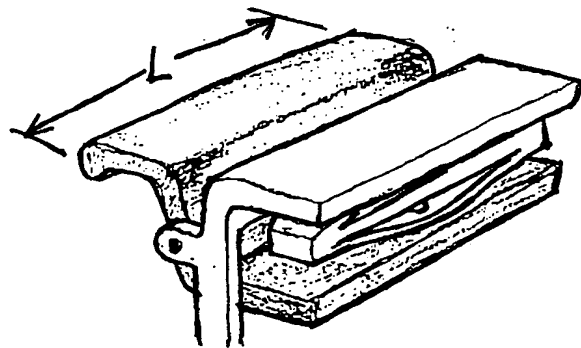


FIGURE 12

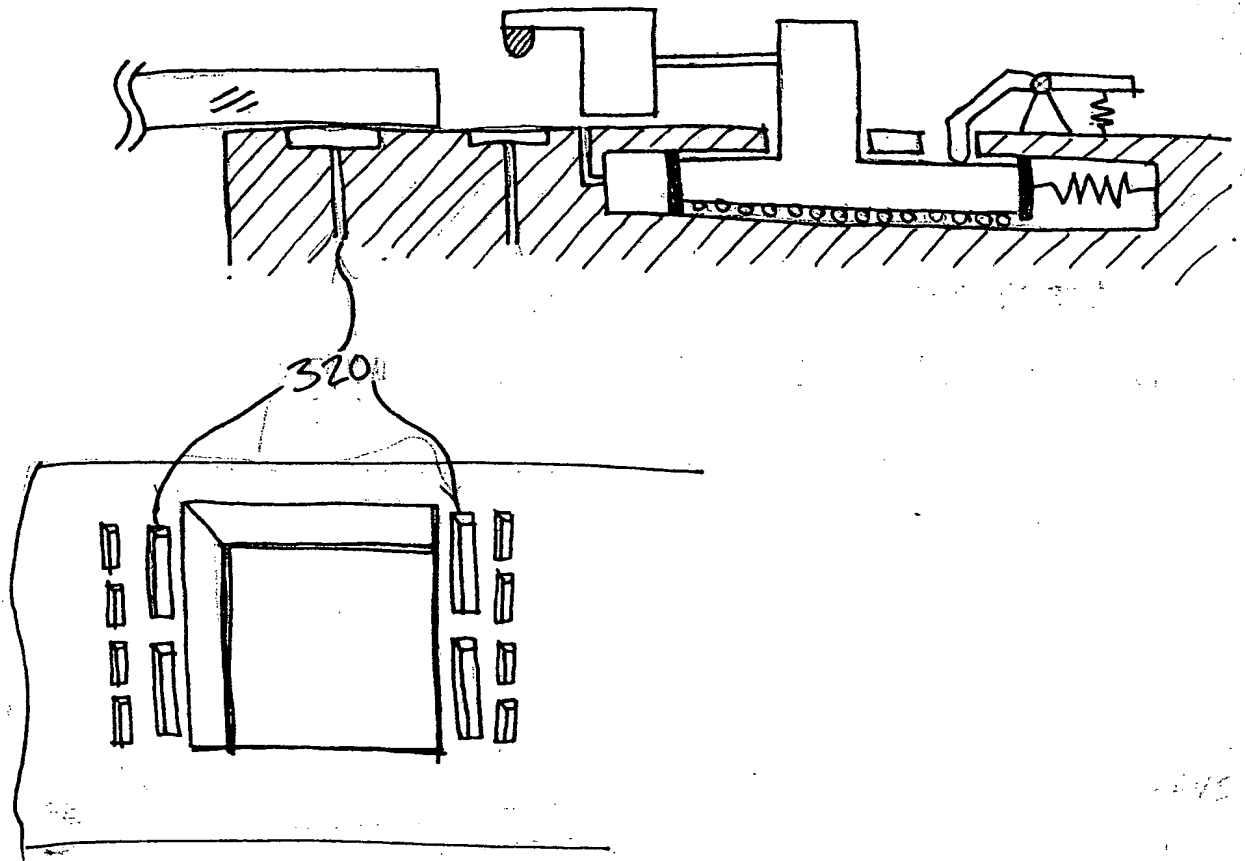


FIGURE 13



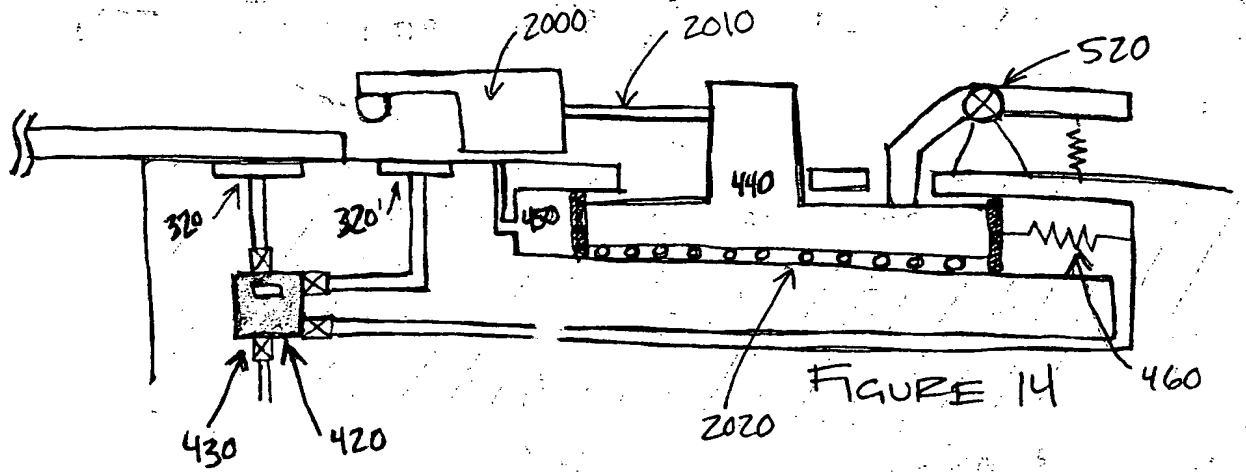


FIGURE 14

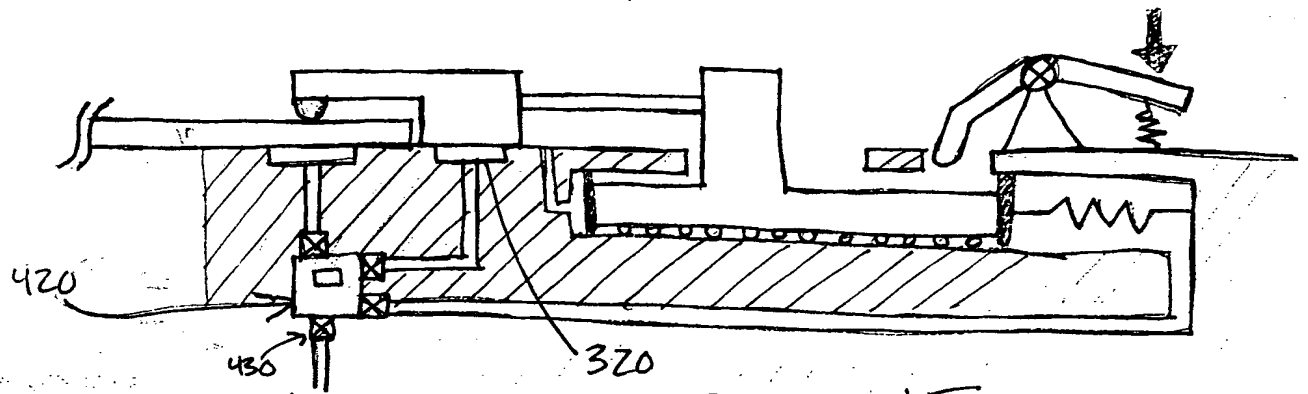


FIGURE 15

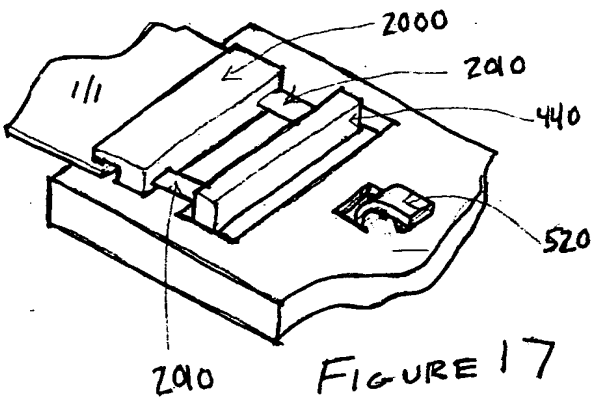


FIGURE 17

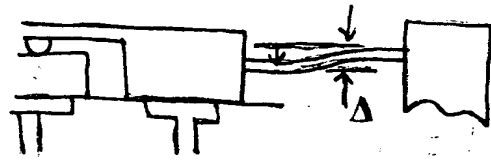


FIGURE 16

...KA  
...SS AND  
...DIED TE